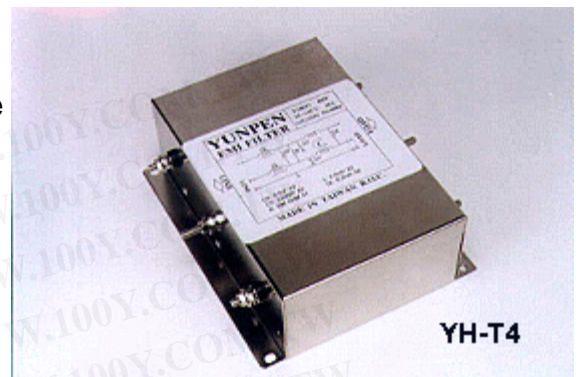


# YH-T4 SERIES

## 1. FEATURES

- Good noise attenuation in both forward and reverse directions for common mode and normal mode.
- High reliability designed for industrial equipment usage with 3 phases, 250vac/500vac



YH-T4

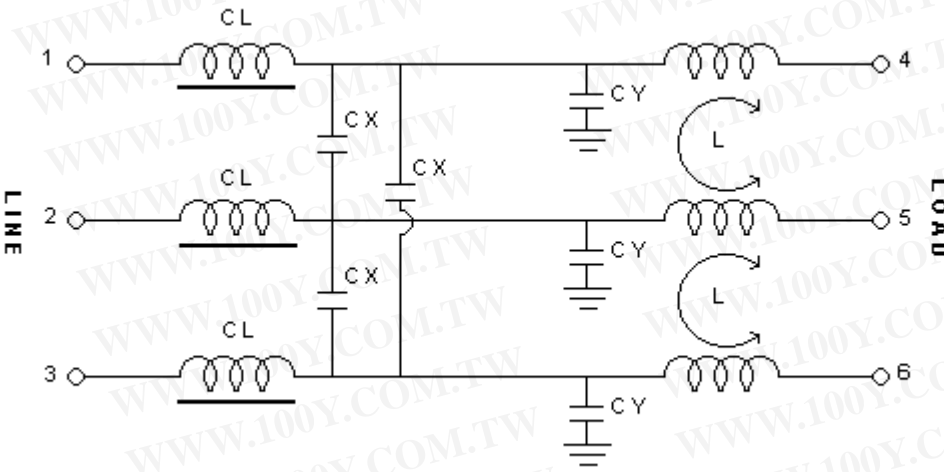
## 2. SPECIFICATIONS

| ITEM \ MODEL              |                     | YH10T4/YH10T4-1                                  | YH15T4/YH15T4-1                                  | YH20T4/YH20T4-1                                  | YH30T4/YH30T4-1                                  |
|---------------------------|---------------------|--|--|--|--|
| RATED VOLTAGE             |                     | 250V AC/500V AC                                  | 250V AC/500V AC                                  | 250V AC/500V AC                                  | 250V AC/500V AC                                  |
| RATED CURRENT             |                     | 10A  | 15A  | 20A  | 30A  |
| LEAK CURRENT              |                     | 1.3mA MAX<br>250V,50HZ<br>3.0mA MAX<br>500V,50HZ | 1.3mA MAX<br>250V,50HZ<br>3.0mA MAX<br>500V,50HZ | 1.3mA MAX<br>250V,50HZ<br>3.0mA MAX<br>500V,50HZ | 1.3mA MAX<br>250V,50HZ<br>3.0mA MAX<br>500V,50HZ |
| TEST VOLTAGE              | LINE TO LINE        | 1450V DC   | 1450V DC   | 1450V DC   | 1450V DC   |
|                           | LINE TO GROUND      | 2250V DC   | 2250V DC   | 2250V DC   | 2250V DC   |
| INSULATION RESISTANCE     |                     | 100M ohm MIN<br>250VDC<br>100M ohm MIN<br>500VDC | 100M ohm MIN<br>250VDC<br>100M ohm MIN<br>500VDC | 100M ohm MIN<br>250VDC<br>100M ohm MIN<br>500VDC | 100M ohm MIN<br>250VDC<br>100M ohm MIN<br>500VDC |
| DIRECT CURRENT RESISTANCE |                     | 0.5 ohm MAX                                      | 0.2 ohm MAX                                      | 0.15 ohm MAX                                     | 0.1 ohm MAX                                      |
| TEMPERATURE RISE          |                     | 30C MAX  | 30C MAX  | 30C MAX  | 30C MAX  |
| OPERATING TEMPERATURE     |                     | -25 ~ +85C                                       | -25 ~ +85C                                       | -25 ~ +85C                                       | -25 ~ +85C                                       |
| ATTENUATION               | NORMAL MODE 25dbMIN | 0.16 ~ 50MHZ                                     | 0.80 ~ 50MHZ                                     | 0.80 ~ 50MHZ                                     | 1.38 ~ 50MHZ                                     |
|                           | COMMON MODE 25dbMIN | 0.24 ~ 50MHZ                                     | 0.20 ~ 50MHZ                                     | 0.40 ~ 50MHZ                                     | 0.70 ~ 50MHZ                                     |
| CX                        |                     | 0.2uF*3  | 0.2uF*3  | 0.2uF*3  | 0.2uF*3  |
| CY                        |                     | 3300pF*3   | 3300pF*3   | 3300pF*3   | 3300pF*3   |
| INDUCTANCE                |                     | (1.45+0.9)mH*3                                   | (0.7+0.74)mH*3                                   | (0.51+0.46)mH*3                                  | (0.36+0.35)mH*3                                  |

## 3. NOISE ATTENUATION (dB)

| COMMON MODE (LINE TO GROUND) IN 50 OHM SYSTEM     |                |               |     |     |     |      |      |
|---|----------------|---------------|-----|-----|-----|------|------|
| TYPE  | CURRENT RATING | FREQUENCY-MHZ |     |     |     |      |      |
|   |                | 0.15          | 0.5 | 1.0 | 5.0 | 10.0 | 30.0 |
| YH10T4  | 10A            | 22            | 62  | 71  | 77  | 64   | 39   |
| YH15T4  | 15A            | 11            | 48  | 57  | 62  | 60   | 34   |
| YH20T4  | 20A            | 9             | 38  | 49  | 55  | 53   | 33   |
| YH30T4  | 30A            | 6             | 37  | 50  | 59  | 63   | 47   |
| DIFFERENTIAL MODE (LINE TO LINE) IN 50 OHM SYSTEM |                |               |     |     |     |      |      |
| YH10T4  | 10A            | 29            | 60  | 68  | 80  | 69   | 49   |
| YH15T4  | 15A            | 15            | 52  | 61  | 73  | 65   | 42   |
| YH20T4  | 20A            | 16            | 45  | 55  | 64  | 63   | 39   |
| YH30T4  | 30A            | 13            | 41  | 55  | 59  | 43   | 35   |

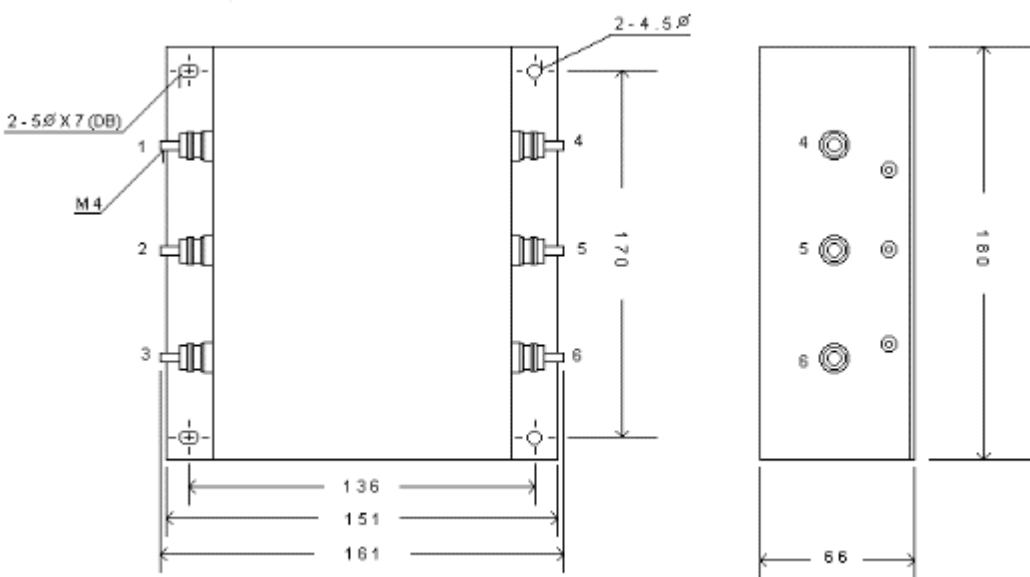
## 4. CIRCUIT



## 5. DIMENSION(mm)

YH10T4~YH30T4

勝特力材料 886-3-5753170  
 勝特力电子(上海) 86-21-34970699  
 勝特力电子(深圳) 86-755-83298787  
[Http://www.100y.com.tw](http://www.100y.com.tw)



YH10T4-1~YH30T4-1

